

136

(1) SMR CODE	(2) FEDERAL STOCK NUMBER	(3) DESCRIPTION REFERENCE NUMBER & MFG. CODE USABLE ON CODE		(4) UNIT OF MEAS.	(5) QTY INC IN UNIT	(6) 15-DAY ORGANIZATIONAL MAINTENANCE ALW				(7) ILLUSTRATION	
						(a) 1-5	(b) 6-20	(c) 21-50	(d) 51-100	(a) FIGURE NO.	(b) ITEM NO.
		GROUP 1202—SERVICE BRAKES BRAKE SHOES AND DRUM FIG. 12-3.									
PO	2530-135-8973	ANCHOR: wheel brake shoe holddown, 7025882 (19207).		EA	8	*	*	*	*	12-3	1
PO	2530-700-1423	COVER PLATE, ACCESS: adjusting hole brake, 7001423 (19207).		EA	8	*	*	*	*	12-3	2
PO	2530-176-3287	BRAKE SHOE: w/ lining assembly, 11660466 (19207).		EA	8	*	*	*	*	12-3	3
PO	2530-887-1342	SPRING SET, HELICAL EXTENSION: brake shoe, 5702244 (19207).		EA	V	*	*	*	*		
		Composed of:									
X1		2—SPRING, HELICAL, EXTENSION: 7025883.								12-3	4.1
X1		2—SPRING, HELICAL, EXTENSION: 7025881.								12-3	4.2
X1		1—SPRING, RETURN: 5303469.								12-3	4.3
PO	2530-560-3618	SPINDLE ASSEMBLY: (see figure 10-2 for front axle and figure 11-2 for rear axle applications) 8712387 (19207).		A EA	4	*	*	*	*	12-3	5
PO	2530-176-3337	SPINDLE ASSEMBLY: (see figure 10-2 for front axle and figure 11-2 for rear axle applications) 11644854 (19207).		B EA	4	*	*	*	*	12-3	5
POR	2530-678-3075	DRUM, BRAKE: service brakes, 7025887 (19207).		EA	4	*	*	*	*	12-3	6
PO	2530-678-6119	SCREW ASSEMBLY, BRAKE SHOE ADJUSTING: 7025878 (19207).		EA	4	*	*	*	*	12-3	7

Current part is item (3) on diagram. Available at www.oshkoshequipment.com

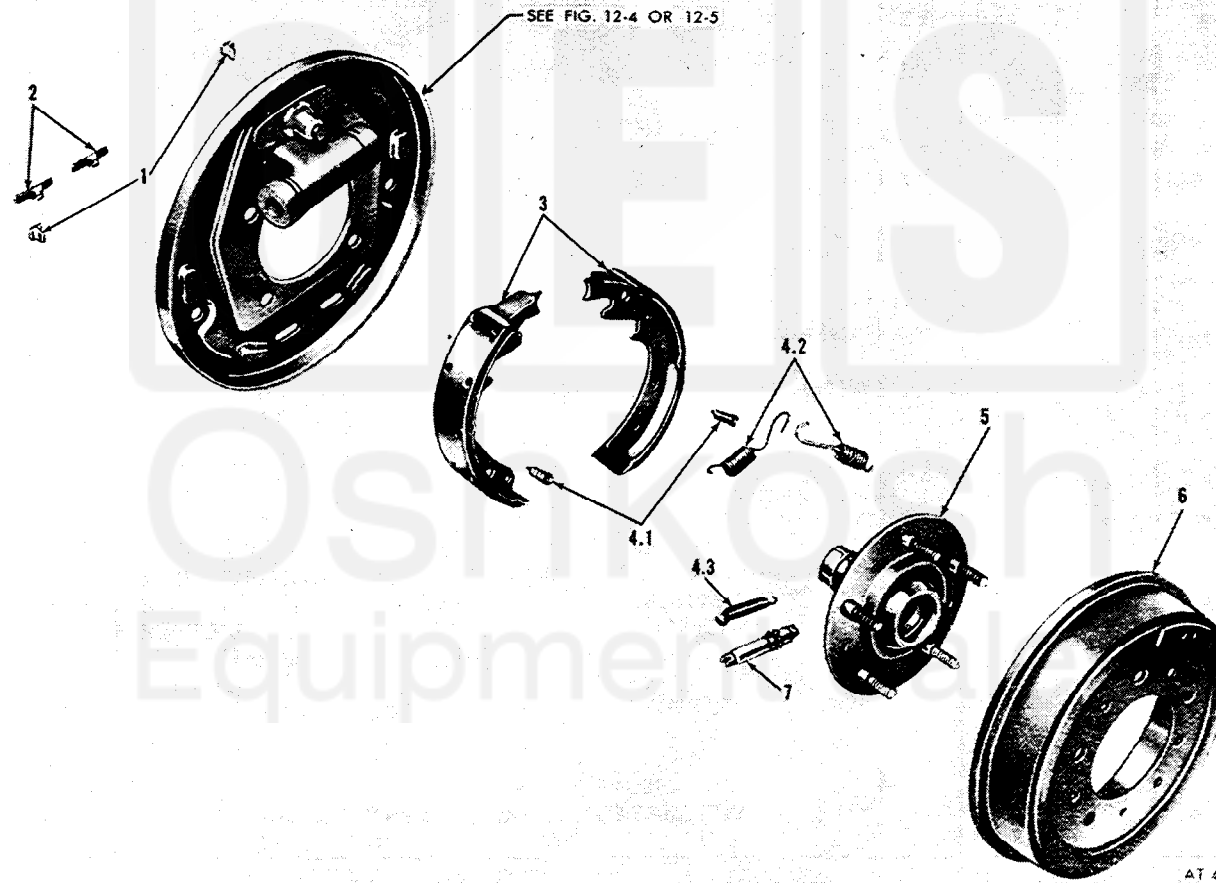


Figure 12-3. Brake shoes and drum.

Current part is item (3) on diagram. Available at www.oshkoshequipment.com